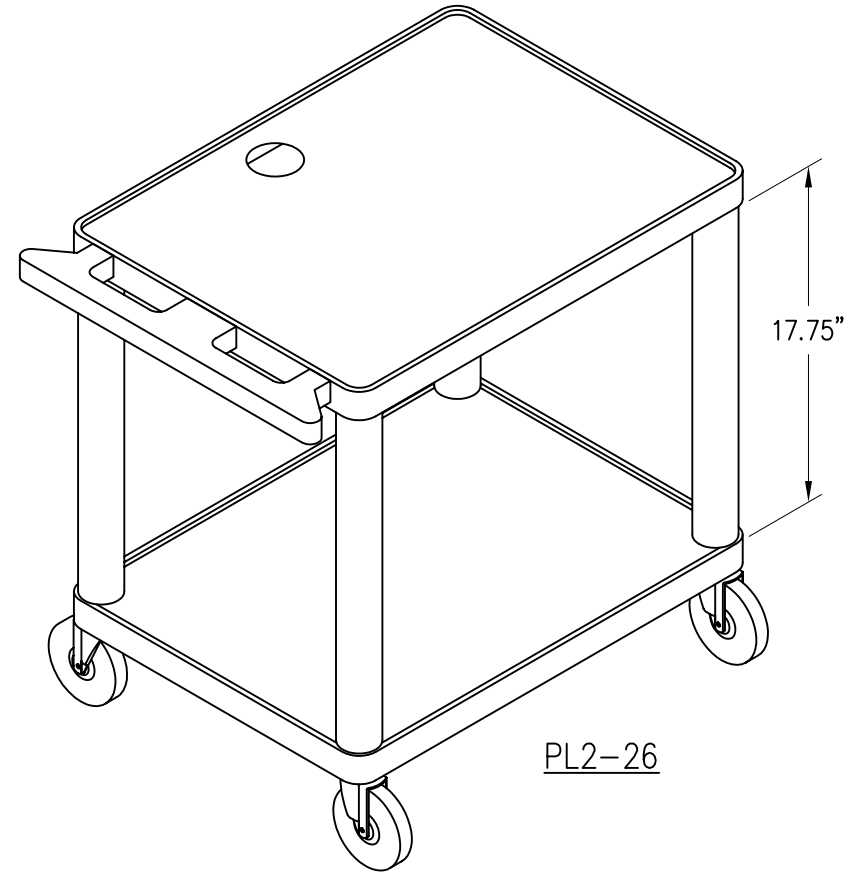
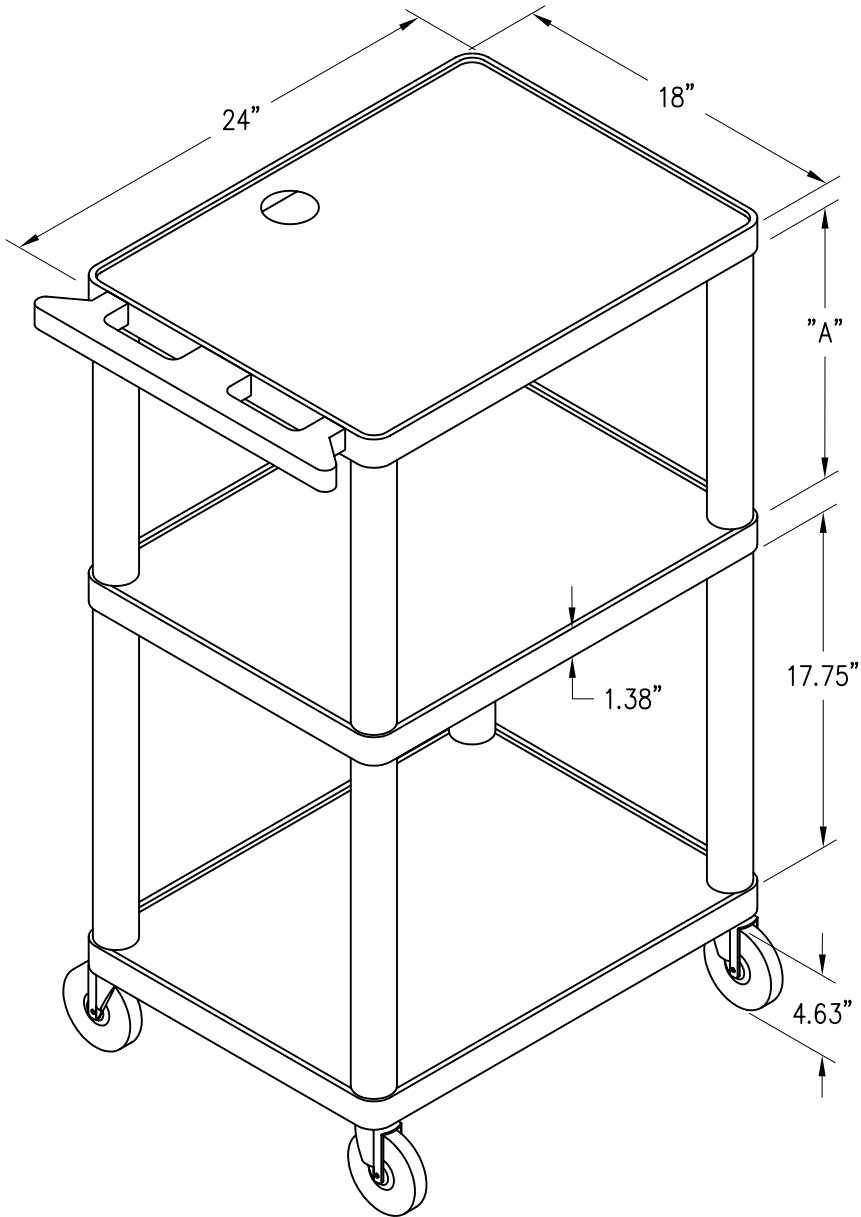


PL2 Plastic Carts

THE
Advance
PRODUCTS COMPANY
 1199 E. Central, Wichita, KS 67214-3922 Ph: (316) 263-4231

THIS DRAWING IS THE PROPERTY OF THE ADVANCE
 PRODUCTS COMPANY AND IS NOT TO BE REPRODUCED
 OR USED TO FURNISH INFORMATION FOR MAKING
 DRAWINGS EXCEPT WHERE PROVIDED BY AGREEMENT
 WITH SAID COMPANY.

DA-LITE



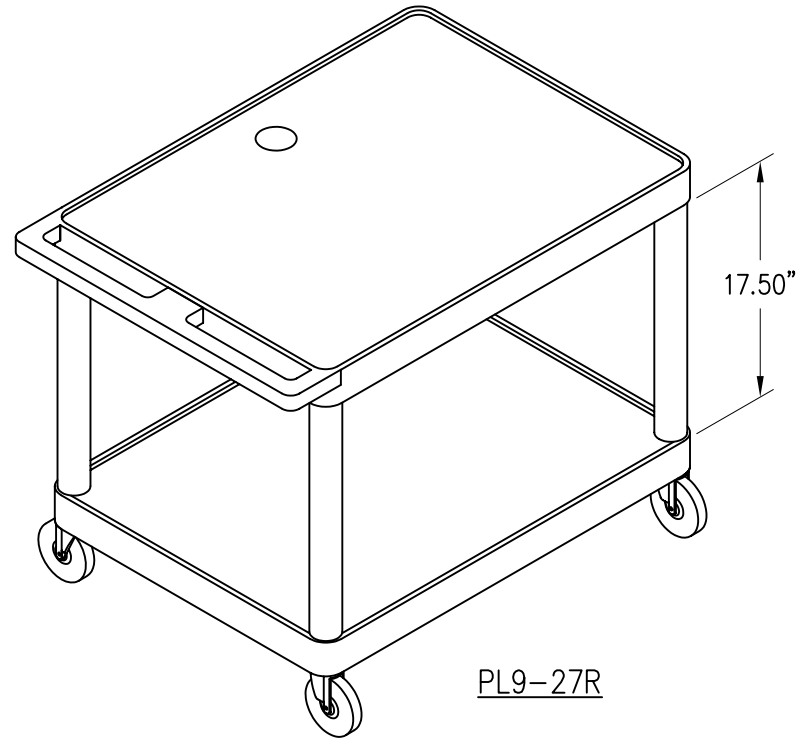
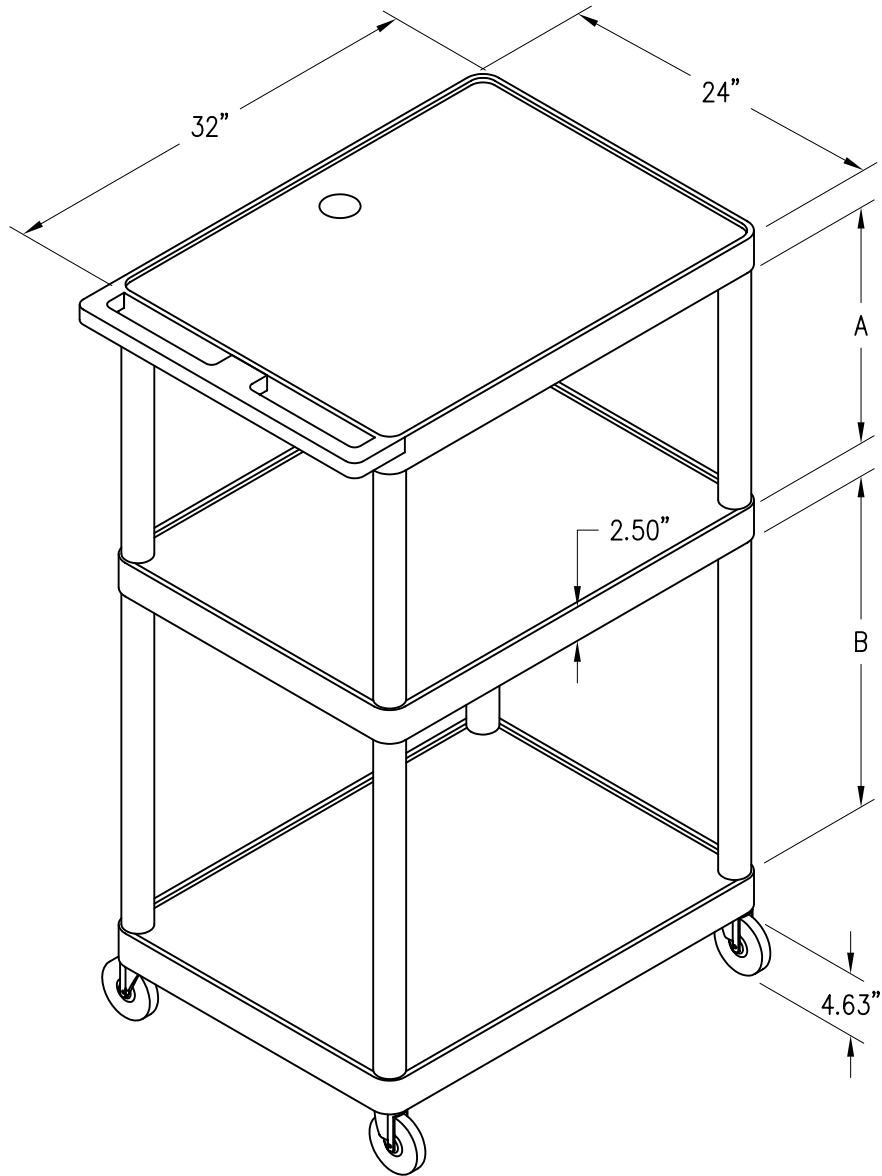
PL2-26

| MODEL | SHELF CLEARANCE |
|--------|-----------------|
| | A |
| PL2-34 | 6.25" |
| PL2-42 | 14.25" |

PL9 Plastic Carts

THE **Advance**
PRODUCTS COMPANY
 1199 E. Central, Wichita, KS 67214-3922 Ph: (316) 263-4231

THIS DRAWING IS THE PROPERTY OF THE ADVANCE PRODUCTS COMPANY AND IS NOT TO BE REPRODUCED OR USED TO FURNISH INFORMATION FOR MAKING DRAWINGS EXCEPT WHERE PROVIDED BY AGREEMENT WITH SAID COMPANY.



PL9-27R

| MODEL | SHELF CLEARANCE | |
|----------|------------------------|------------------------|
| | A | B |
| PL9-40R | 11.00" | 17.50" |
| PL9-48R | 17.50" | 19.00" |
| PL9-54R | 17.50" | 25.00" |
| PL9-DUOR | 11.00" OR 17.50" | 17.50" OR 25.00" |