



# UPM-1-UNIVERSAL PROJECTOR MOUNT

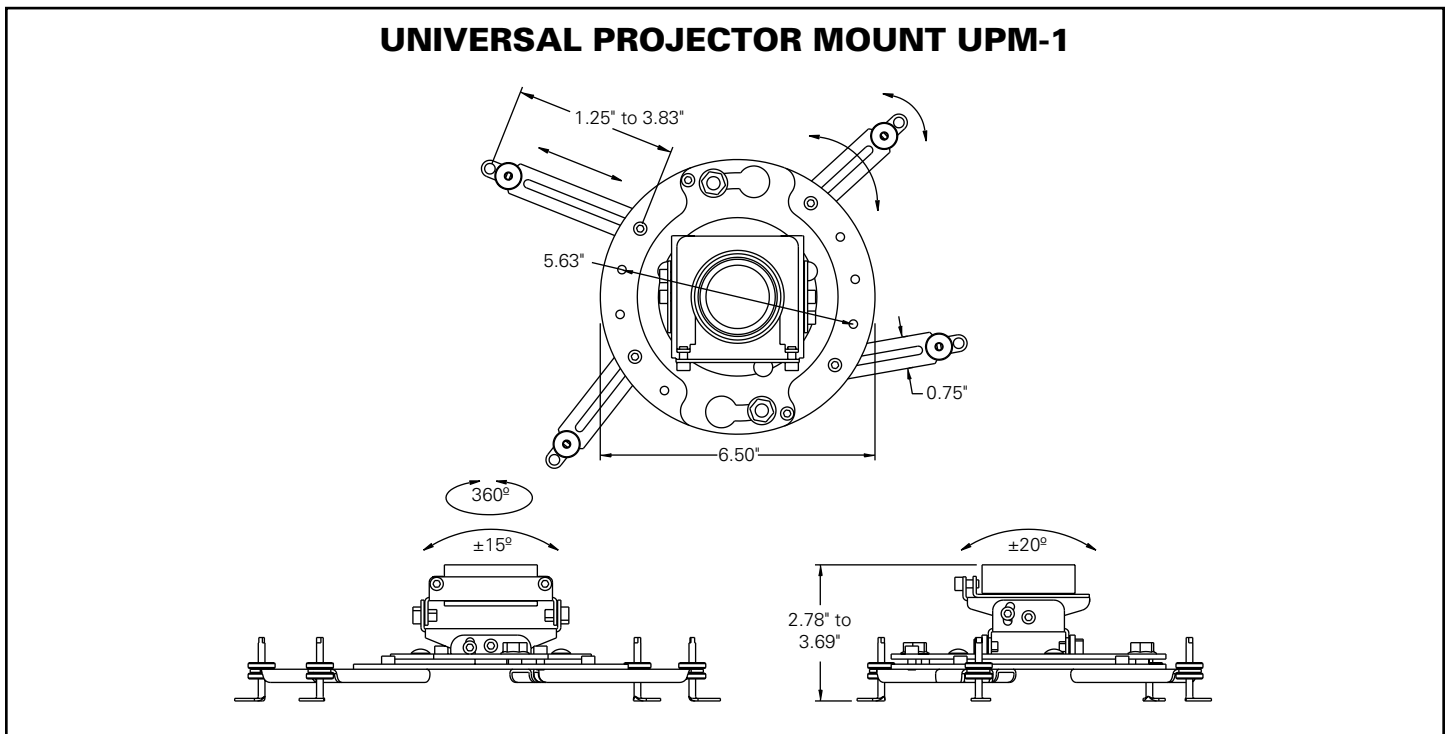
**DA-LITE SCREEN COMPANY, INC.**  
 3100 North Detroit Street  
 Post Office Box 137  
 Warsaw, Indiana 46581-0137  
 Phone: 574-267-8101  
 800-622-3737  
 Fax: 574-267-7804  
 Toll Free Fax: 877-325-4832  
 www.da-lite.com  
 e-mail: info@da-lite.com

## SPECIFICATION DATA

**SUGGESTED SPECIFICATIONS:** Da-Lite/Advance Universal Projector Mount model **UPM-1**. The mount shall be a fabricated mild steel design and consist of a grooved coupling, U-joint, pitch bracket, locking ring, base disk, legs, and feet. The coupling shall be a 1 1/2" NPT steel half pipe coupling. The U-joint and legs shall be 14-gauge formed steel. The pitch bracket, locking ring, and base disk shall be 11-gauge steel and allow for the alignment of the projector lens to the pivot axes. The feet on the legs shall be adjustable to allow fine-tuning of the image to the viewing screen with thumbnuts. Mount shall have 20 degrees of roll adjustment, 15 degrees of pitch adjustment and 360 degrees of swivel. Will support up to 50 lbs. Mount assemblies shall have a commercial powder coat black or white finish.

### Package Components:

- UPM-1 mount.
- Metric fasteners for projector.
- Tamper resistant fasteners for projector and mount.
- Wrenches for special fasteners.



### Optional Mount Accessories:

- CPM-ACP Above Ceiling Plate
- CPM-PLC Plenum Cover for CPM-ACP
- CM-CCA Cathedral Ceiling Adapter
- CM-UPC Unistrut™ Parallel Pipe Coupling
- CM-USC Unistrut™ Sliding Pipe Coupling
- A304 Ceiling plate
- A302 Escutcheon ring, (black, white or chrome)
- CM-PS Ceiling Support Pipe Stabilizer Kit
- CM-CAC Female/female Pipe Coupler w/ cutout (1 1/2" NPT)
- CM-MT Male Pipe Coupler (1 1/2" NPT)
- CM-FT Female Pipe Coupler (1 1/2" NPT)
- CM-P4 4" Long Pipe (1 1/2" NPT)
- CM-P6 6" Long Pipe (1 1/2" NPT)
- CM-P10 10" Long Pipe (1 1/2" NPT)
- CM-P24 24" Long Pipe (1 1/2" NPT)
- CM-VIP Vibration Isolation Ceiling Plate
- CM-P0508 5"-8" Adjustable Pipe

- CM-P0814 8 1/2"-14 1/2" Adjustable Pipe
- CM-P1218 12"-18" Adjustable Pipe
- CM-P1824 18"-24" Adjustable Pipe
- CM-P1426 14 1/2"-26 1/2" Adjustable Pipe
- CM-P1830 18"-30" Adjustable Pipe
- CM-P2436 24"-36" Adjustable Pipe
- CM-CAP Cable Access Ceiling Plate
- A-565 Cable Lock Kit
- CM-SCP Suspended Ceiling Plate 2' x 2', white or black
- A-101 Hardware Kit for Solid Concrete
- A-105 Hardware Kit for Wood Stud Beam
- A-111 Hardware Kit for Unistrut™